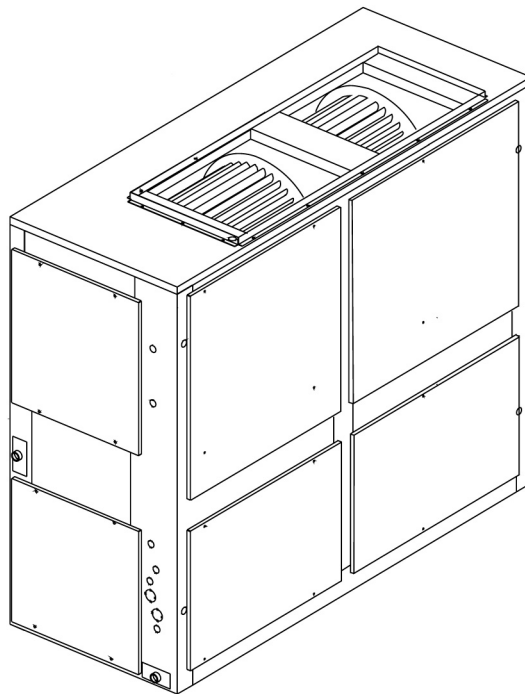


Installation Operation Maintenance

*Split System Air Handlers
20-Ton
Model TWE*



Model (60 Hz): Model (50 Hz):
TWE240E***A TWE200ED**A

Preface and Cautions and Warnings

Literature Change History

TWE-SVN02A-EN (June 2006)
Release of 20T, R410A product.

Note: *One copy of this document ships inside the control panel of each unit and is customer property. It must be retained by the unit's maintenance personnel.*

This booklet describes proper installation, operation, and maintenance procedures for air cooled systems. By carefully reviewing the information within this manual and following the instructions, the risk of improper operation and/or component damage will be minimized.

It is important that periodic maintenance be performed to help assure trouble free operation. A maintenance schedule is provided at the end of this manual. Should equipment failure occur, contact a qualified service organization with qualified, experienced HVAC technicians to properly diagnose and repair this equipment.

Note: *All phases of this installation must comply with the NATIONAL, STATE & LOCAL CODES. In addition to local codes, the installation must conform with National Electric Code -ANSI/NFPA NO. 70 LATEST REVISION.*


Note: **Do Not release refrigerant to the atmosphere! If adding or removing refrigerant is required, the service technician must comply with all federal, state, and local laws.**


Warnings and Cautions

Notice that warnings and cautions appear at appropriate intervals throughout this manual. Warnings are provided to alert installing contractors to potential hazards that could result in personal injury or death, while cautions are designed to alert personnel to conditions that could result in equipment damage.

Your personal safety and the proper operation of this machine depend upon the strict observance of these precautions.

NOTICE: Warnings and Cautions appear at appropriate sections throughout this literature. Read these carefully.

 **WARNING:** Indicates a potentially hazardous situation which, if not avoided, could result in death or serious injury.

 **CAUTION:** Indicates a potentially hazardous situation which, if not avoided, may result in minor or moderate injury. It may also be used to alert against unsafe practices.

CAUTION: Indicates a situation that may result in equipment or property-damage only accidents.

Table of Contents

Preface and Cautions and Warnings.....	2
Model Number Description.....	4
Dimensional Data.....	5
Electrical Data.....	6
Installation.....	7
Field Wiring.....	12
Warranty.....	14

Model Number Description

Model Number Description

All products are identified by a multiple-character model number that precisely identifies a particular type of unit. An explanation of the alphanumeric identification code is provided. Its use will enable the owner/operator, installing contractors, and service engineers to define the operation, specific components, and other options for any specific unit.

When ordering replacement parts or requesting service, be sure to refer to the specific model number, serial number, and DL number (if applicable) stamped on the unit nameplate.

TWE 240 E 1 00 E A
4 10

DIGITS 1-3: PRODUCT TYPE

TWE = Split System Cooling Air Handler

DIGITS 4-6: NOMINAL GROSS COOLING CAPACITY (MBh)

200 = 200 MBh

240 = 240 MBh

DIGIT 7: REFRIGERATION CIRCUIT

A = 1 Refrigerant Circuit R22

B = 2 Refrigerant Circuit R22

D = 1 Refrigerant Circuit R410A

E = 2 Refrigerant Circuit R410A

DIGITS 8: ELECTRICAL CHARACTERISTICS

3 = 208-230/60/3

4 = 460/60/3

W = 575/60/3

D = 380-415/50/3

K = 380/60/3

DIGITS 9, 10: FACTORY INSTALLED OPTIONS

00 = Packed Stock

DIGITS 11: MINOR DESIGN SEQUENCE

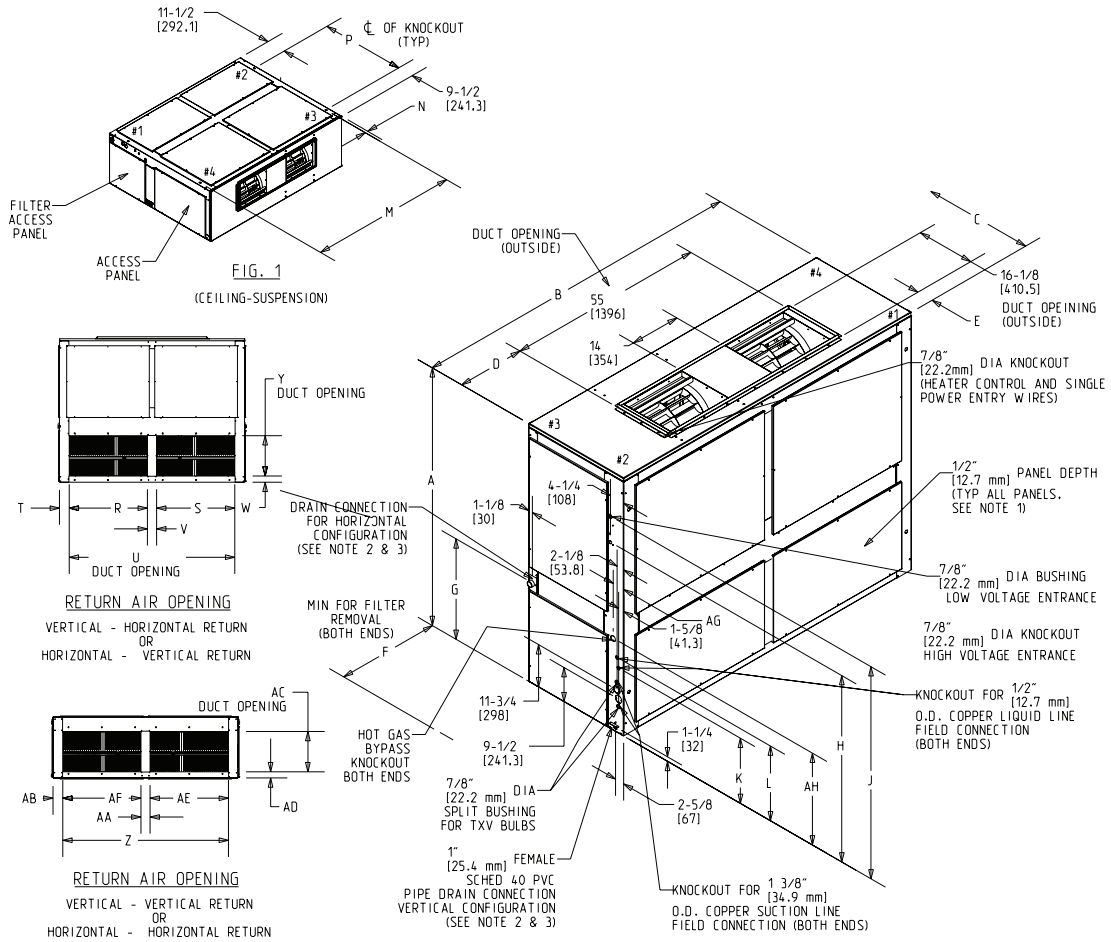
CURRENT

DIGITS 12: Service Digit

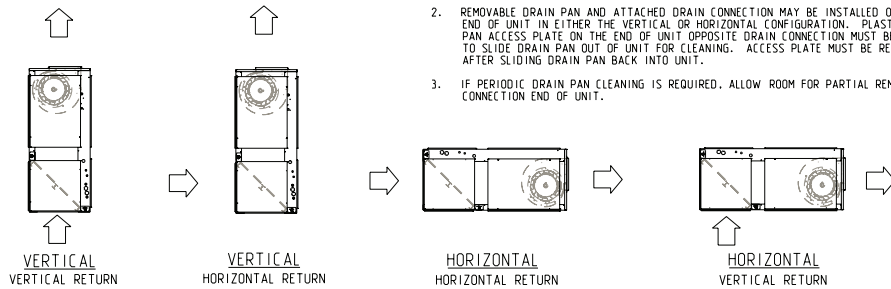
A = First

Dimensional Data

Figure 1. TWE200E, TWE240E, Dimensional Data, Connection Location, Clearances, Corner Weights



- NOTES:
1. LENGTH, WIDTH, AND HEIGHT DIMENSIONS DO NOT INCLUDE 1/2" ACCESS PANEL DEPTH.
 2. REMOVABLE DRAIN PAN AND ATTACHED DRAIN CONNECTION MAY BE INSTALLED ON EITHER END OF UNIT IN EITHER THE VERTICAL OR HORIZONTAL CONFIGURATION. PLASTIC DRAIN PAN ACCESS PLATE ON THE END OF UNIT OPPOSITE DRAIN CONNECTION MUST BE REMOVED TO SLIDE DRAIN PAN OUT OF UNIT FOR CLEANING. ACCESS PLATE MUST BE RE-INSTALLED AFTER SLIDING DRAIN PAN BACK INTO UNIT.
 3. IF PERIODIC DRAIN PAN CLEANING IS REQUIRED, ALLOW ROOM FOR PARTIAL REMOVAL OF PAN ON DRAIN CONNECTION END OF UNIT.



MODEL NO.	APPROXIMATE CORNER WEIGHT (MASS)				TOTAL UNIT WEIGHT	TOTAL SHIPPING WEIGHT
	#1	#2	#3	#4		
TWE200E, TWE240E						
Vertical	109 lbs (49 kg)	262 lbs (119 kg)	154 lbs (70 kg)	262 lbs (119 kg)	787 lbs (357 kg)	857 lbs (389 kg)
Horizontal	192 lbs (87 kg)	229 lbs (104 kg)	130 lbs (59 kg)	236 lbs (107 kg)	787 lbs (357 kg)	857 lbs (389 kg)

Model No.	A	B	C	D	E	F	G	H	J	K	L	M	N	P	R
TWE240E	71 7/8"	92 5/8"	30 1/2"	18 7/8"	4 1/2"	28 1/2"	28"	51 7/8"	59 1/8"	18 1/8"	20 7/8"	89 1/4"	1 3/4"	50 7/8"	39 1/8"
TWE200E	(1826)	(2353)	(775)	(479)	(114)	(724)	(711)	(1318)	(1502)	(460)	(530)	(2267)	(45)	(1292)	(994)

Model No.	S	T	U	V	W	Y	Z	AA	AB	AC	AD	AE	AF
TWE240E	39 1/8"	4 7/8"	82 7/8"	4 5/8"	3 1/8"	20 1/8"	82 7/8"	4 5/8"	4 5/8"	20 1/8"	3 1/8"	39 1/8"	39 1/8"
TWE200E	(994)	(124)	(2105)	(118)	(79)	(511)	(2105)	(118)	(118)	(511)	(79)	(994)	(994)

Electrical Data

Table 1. TWE Unit Electrical Data

Model Number	Basic Unit Characteristics				Standard Evap Fan Motor			Oversized Evap Fan Motor		
	Electrical Characteristics	Allowable Voltage Range	Minimum Circuit Ampacity	Maximum Fuse Size	Qty.	Amps		Qty.	Amps	
						FLA	LRA		FLA	LRA
TWE240E3	208-230/60/3	187-254	19.0	25	1	14.5	98	1	18	122.8
TWE240E4	460/60/3	414-506	9	15	1	6.7	47	1	9	61.4
TWE240EW	575/60/3	518-632	7	15	1	5.2	37.3	1	7.2	49.8
TWE200ED	380-415/50/3	380-415	10.0	15	1	7.6	45.0	1	9.0	65.1

Installation

These instructions do not attempt to cover all variations in systems, nor to provide for every possible contingency to be met in connection with installation. Should further information be desired or should particular problems arise which are not sufficiently covered for the purchaser's purpose, the matter should be referred to the manufacturer.

General

This manual covers installation of the TWE200 and 240E dual circuit air handlers. These air handler models incorporate a single slab coil assembly, improved application flexibility, servicing, maintenance accessibility and an improved accessory line. They are fully convertible, (vertical to horizontal discharge) without field removal or reorientation of the coil assembly. They are shipped ready for horizontal installation.

All units have one drain pan that can be installed in any one of four positions. This allows for vertical or horizontal applications and right or left exit.

Note: *The TWE200E and TWE240E dual circuit units have a mixed face coil.*

Inspection

Inspect material carefully for any shipping damage. If damaged, it must be reported to, and claims made against the transportation company. Replace damaged parts with authorized parts only. Check the unit nameplate to confirm that the proper unit was shipped. Available power supply must be compatible with electrical characteristics on component nameplate.

Installation Preparations

The final position for the air handler must be dictated by required service access to it, weight distribution over structural supports, and by the locations of electrical, refrigerant and

condensate drainage connections. After this is determined, the following preparations should be made.

Repositioning Drain Pan

These air handlers come with one drain pan that can be installed in any one of four positions; this allows for vertical or horizontal application and right or left condensate line connection. The drain pan can also be easily removed for periodic cleaning.

Note: *All air handlers are shipped with the drain pan installed in the horizontal position and the connection on the left side (as shown in Figure 2). If an alternate position is required, the drain pan should be repositioned before setting the air handler.*

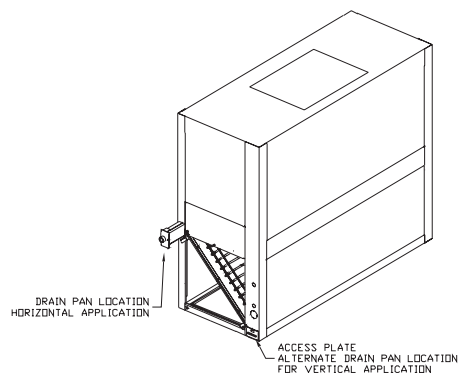


Figure 2.

Process for Drain Pan Relocation

1. Remove the access plate at the opposite end of the drain connection. This plate secures and lifts the back end of the drain pan for sloping. It must be removed before the drain pan can be removed. This is done as follows: (A) remove the screw, (B) lift the access plate up, (C) pull the plate out. If the drain pan is to be moved to the vertical position also remove the other two access plates.
2. (a) Remove the screw securing the drain pan. (b) Lift the pan up. (c) Slide the pan out.
3. Install the drain pan into the new position. (a) Slide the drain pan

into the opening. (b) Lift the drain pan up. (c) Push it in all the way. (d) Drop it down over the lip of the opening. Secure with screw.

4. Install the access plate on the opposite end of the drain pan. (a) Slide the edge of the access plate under the drain pan. (b) Lift the access plate and drain pan up. (c) Push the access plate in. (d) Drop the access plate down over the lip of the opening. Secure with screw. If the drain pan is being moved to the vertical position, install the other access plates over the horizontal position opening.

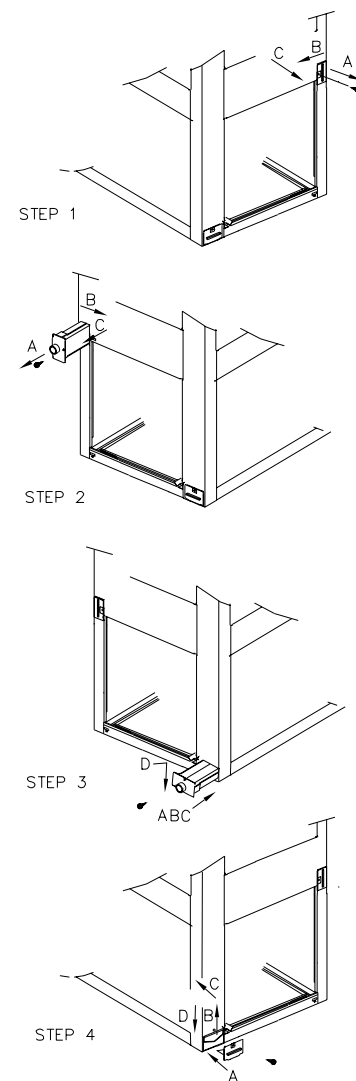


Figure 3. Drain Pan Relocation

Installation

Refrigerant Piping Preparation

The air handler is designed so that refrigerant piping can enter from either the right or left hand side. It is shipped with the intent that the refrigerant lines will enter from the left hand side. To convert to right hand entry, unbrazed the elbow on the suction line and rotate 180 degrees and rebraze.

Note: *Access to refrigerant lines is limited in all horizontal and some vertical applications. Therefore, refrigerant lines should be stubbed out and temporarily capped prior to setting the air handler. Protect adjacent surfaces from heat damage when brazing in and around the air handler.*

Caution

These air handlers are shipped with a dry nitrogen holding charge in the coil. Cut the process tube or puncture the cap to bleed off the nitrogen prior to any brazing. Temporarily cap off tubes if the refrigerant line connections are to be made later.

Installations, Limitations and Recommendations

The general location of the air handler is normally selected by the architect, contractor and/or buyer. For proper installation the following items must be considered.

1. Available power supply must agree with electrical data on component nameplate.
2. If external accessories are installed on the unit, additional clearances must be provided.
3. All duct work should be properly insulated to prevent condensation and heat loss.
4. Refrigerant gas piping must be insulated.

Caution

Properly insulate all refrigerant gas piping to prevent possible water damage due to condensation and to prevent capacity loss and possible compressor damage.

It is recommended that the dimensional drawings be studied, properly noted and checked against the selected installation site. By noting in advance which knockouts are to be used, proper clearance allowances can be made for installation and possible future service.

Note: *When installing these units "free standing" with discharge grills and isolators, a top support with isolator should be added to prevent tipping. Support and isolator can be attached to a wall or other appropriate structure.*

Note: *If adding external accessories to the unit, additional clearances must be considered for the overall space needed.*

For installation of accessories available for this air handler, follow the instructions packed with each accessory.

Lifting Recommendations

Table 2.

Model	Config.	Shipping Max.	Net Max.	Corner Weights			
				#1	#2	#3	#4
TWE240E	Vertical	857	787	109	262	154	262
TWE200E	Horizontal	857	787	192	229	130	236

WARNING

Improper Unit Lift!

Test lift unit approximately 24 inches to verify proper center of gravity lift point. To avoid dropping of unit, reposition lifting point if unit is not level. Failure to properly lift unit could result in death or serious injury or possible equipment or property-only damage.

Before preparing the unit for lifting, the center of gravity should be determined for lifting safety. Because of the placement of external components, the unit weight may be unevenly distributed. Approximate total unit weight and corner weights are given in Table 2.

The crated unit can be moved using a forklift of suitable capacity. For lifting the unit into an elevated mounting position, run lifting straps or slings under the unit and attach securely to the lifting device. Use spreader bars to protect the unit casing from damage. Test lift the unit to determine proper balance and stability.

Caution

Use spreader bars to prevent straps from damaging the unit. Install the bars between lifting straps, both underneath the unit and above the unit. This will prevent the straps from crushing the unit cabinet or damaging the unit finish.

Installation

Horizontal Suspension

If the air handler will be suspended, use a suspension mounting kit to isolate the unit from the structure. This is usually accomplished through the use of spring or rubber isolators, which are offered as an accessory. Mounting rods must be field supplied. Isolator selection is dependent upon total unit weight including accessories. Approximate unit weights are provided in Table 2.

Caution

Before hanging the unit on suspension rods, reinforce the cabinet around the knockouts by using a large washer inside the cabinet. Washers should be between the skin of the air handler and the nut on the suspension rod.

Align holes (knockouts) in the cabinet with structural supports and secure suspension rods to the structure, then to the air handler cabinet. If knockout locations do not permit proper alignment with existing structure, it may be necessary to field fabricate cross members on existing structural beams.

Note: *When other than bottom return is to be used, the side panel removed for return duct installation must be secured over the bottom opening.*

Leveling

This air handler has a double sloped drain pan. In order to assure proper drainage along the length of the drain pan, it is important to have the unit properly leveled. Be sure the air handler is level or slightly sloped in the direction of the condensate connection.

Auxiliary Drain Pan

A field fabricated, auxiliary drain pan should be installed under the unit for all horizontal applications and when air handlers are installed above ceilings or in other locations where condensate overflow may cause damage.

This drain pan will eliminate any excess condensation that may be due to extreme humidity or an obstructed drain in the primary drain pan. Drain lines from this pan must be installed, but should not be connected to the primary drain line from the unit. Isolate the auxiliary drain pan from both the air handler and the structure.

WARNING

Fiberglass Wool!

Product contains fiberglass wool. Disturbing the insulation in this product during installation, maintenance or repair will expose you to airborne particles of glass wool fibers and ceramic fibers known to the state of California to cause cancer through inhalation. Glass wool fibers could result in respiratory, skin or eye irritation.

Precautionary Measures

- Avoid breathing fiberglass dust.
- Use a NIOSH approved dust/mist respirator.
- Avoid contact with the skin or eyes. Wear long-sleeved, loose-fitting clothing, gloves, and eye protection.
- Wash clothes separately from other clothing: rinse washer thoroughly.
- Operations such as sawing, blowing, tear-out, and spraying may generate fiber concentrations requiring additional respiratory protection. Use the appropriate NIOSH approved respirator in these situations.

First Aid Measures

Eye Contact - Flush eyes with water to remove dust. If symptoms persist, seek medical attention.

Skin Contact - Wash affected areas gently with soap and warm water after handling.

Refrigerant Piping

Installation, brazing, leak testing and evacuation of refrigerant lines are covered in this the installation instructions packaged with the outdoor unit. Read the instructions before beginning installation of refrigerant lines.

Locate cloth bag(s) attached to the refrigerant tube of the coil that contains two (2) brass clamps (straps) and cork impregnated insulation material approximately 9" long by 4" wide. This is for attaching and insulating the expansion valve bulb (s) to the suction line(s).

On air handlers that will have refrigerant lines entering the cabinet from the left side, remove the split rubber grommet from the knockout in the end of the air handler. Uncoil the cap tube with the bulb attached at the expansion valve and place the grommet on the cap tube. With the grommet around the tube, push the bulb through the hole and position the grommet back into it's original position (one bulb and cap tube on single circuit units and two bulbs and cap tubes on dual circuit units).

Attach the bulb(s) approximately 45 degrees off vertical, 10 to 12 inches outside of the air handler.

On air handlers that will have refrigerant lines entering the cabinet from the right side, the bulb(s) should be attached to the suction tube(s) inside the cabinet in the same manner as above, approximately 10" from the right end of the unit.

After attaching to the suction line(s), either inside or outside of the cabinet, wrap the cork impregnated insulation around the bulb(s) and suction tube(s). Refrigerant piping should be insulated.

Note: *Ensure that the refrigerant lines passing through the cabinet are not resting on sharp sheet metal edges.*

Installation

Condensate Piping

The drain pan condensate connection is a female slip joint type for 1" Schedule 40 PVC pipe. Use PVC cement and tubing as required (field supplied) to construct a trap. A union or flexible tubing and clamps may be installed if the drain pan is to be removed periodically for cleaning.

Note: When air handler is installed in the vertical position and close proximity trapping of condensate is required, use of a subbase accessory to raise the air handler for clearance of the drain trap is recommended. See Figure 4 for a typical drain trap assembly.

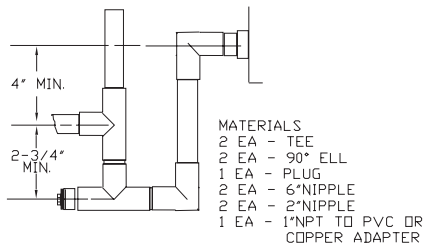


Figure 4. Trap

Filters

Air handlers are shipped with throwaway filters installed. For replacement filters consult the air handler service facts for correct size and number. To replace filters from the end of the unit, remove lower access panel (either end) and slide old filters out and replace with new ones. To replace from the front of the unit, remove one "L" shaped angle. Remove and replace filters and reinstall "L" shaped angle. See Figure 5.

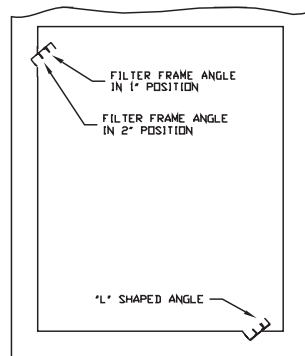


Figure 5. Filter Replacement

To convert from 1" filter to a 2" filter on units so equipped, remove lower access panels from both ends of the air handler. Remove screws and reposition the "L" shaped angles from both the top and bottom of the filter track to increase the width of the filter opening.

Duct Connections

The supply and return ducts should be connected to the unit with flame retardant duct connectors to reduce vibration transmission. The return duct should be sized to the same dimensions as the return inlet of the unit.

Note: Duct flanges are provided for attachment of the duct work. On TWE240, the duct flanges are packaged on the outside of the cabinet.

Air Flow Settings

Unit is shipped for nominal airflow with nominal static pressure. Please refer to fan performance table in either the product catalog or unit service facts and select the proper drive package for each application. Failure to do so could result in improper airflow causing coil frosting or condensate management problems. Condensate management problems such as water drip off or water blow off could be the result of too great of air face velocity across the coil.

Installation

⚠ WARNING

Hazardous Voltage w/Capacitors!

Disconnect all electric power, including remote disconnects and discharge all motor start/run capacitors before servicing. Follow proper lockout/tagout procedures to ensure the power cannot be inadvertently energized. Verify with an appropriate voltmeter that all capacitors have discharged. Failure to disconnect power and discharge capacitors before servicing could result in death or serious injury.

Note: For additional information regarding the safe discharge of capacitors, see *PROD-SVB06A-EN* or *PROD-SVB06A-FR*.

Electrical Connections

1. All electrical lines, sizing, protection, and grounding must be in accordance with the National Electric Code and local codes.
2. If conduit is used, isolate whenever vibration transmission may cause a noise problem within the building structure.
3. Ensure all connections are tight and no wires exposed.
4. All accessories must be installed and wired according to the instructions packaged with that accessory.

For air handler power entry only, or for dual power entry (power entry for air handler and power entry for electric heat), the electrical connections are made in the fan control box located in the left side of the air handler and electric heater respectively. Wiring entrance is through holes provided in the end of the air handler cabinet, see Figure 6. Breaker or fuse size can be selected using the nameplates attached to the unit and electric heater.

Wire Size (Gauge)	Recommended t'stat wire size Maximum Wire Length Physical distance between Unit & T'stat
22	30 Feet
20	50 Feet
18	75 Feet
16	125 Feet
14	200 Feet

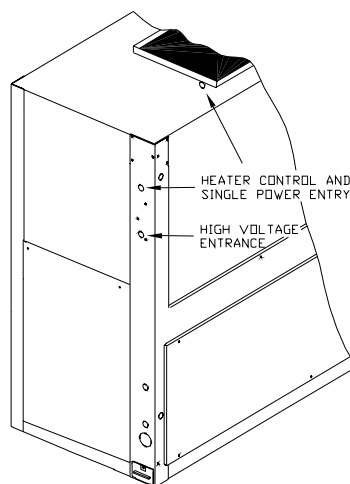


Figure 6. Power Entry

Checkout Procedure

Complete the following "installation checklist" once installation of field wiring connections is complete. All operational checks (unit running) must be made after the outdoor unit is installed and system interconnection is complete.

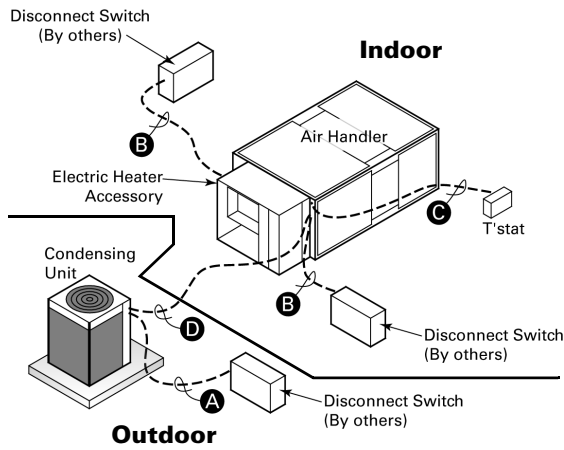
Installation Checklist

Complete this checklist once the unit is installed to verify that all recommended procedures have been accomplished before the system is started. Operational checks cannot be performed until the outdoor unit is installed and system interconnection is complete.

- Verify that the unit electrical power is disconnected.
- Inspect all field wiring connections. All connections should be clean and tight.
- Inspect unit ground connection(s). Ground must comply with all applicable codes.
- Inspect unit suspension arrangement (if used). Unit position must be secure. Remove any tools or debris found in or near the unit.
- Inspect duct outlets. Outlets must be open and unrestricted.
- Inspect unit drain lines. Pipe connections must be tight and drain line unrestricted.
- Inspect fan assembly to insure all moving parts move freely.
- If unit is horizontally mounted, make sure secondary drain pan has been installed.
- Inspect unit for proper filters, securely installed. All cabinet panels must be secure.
- Instruct owner/operator on proper system operating and maintenance procedure.

Field Wiring

Figure 7. Field Wiring



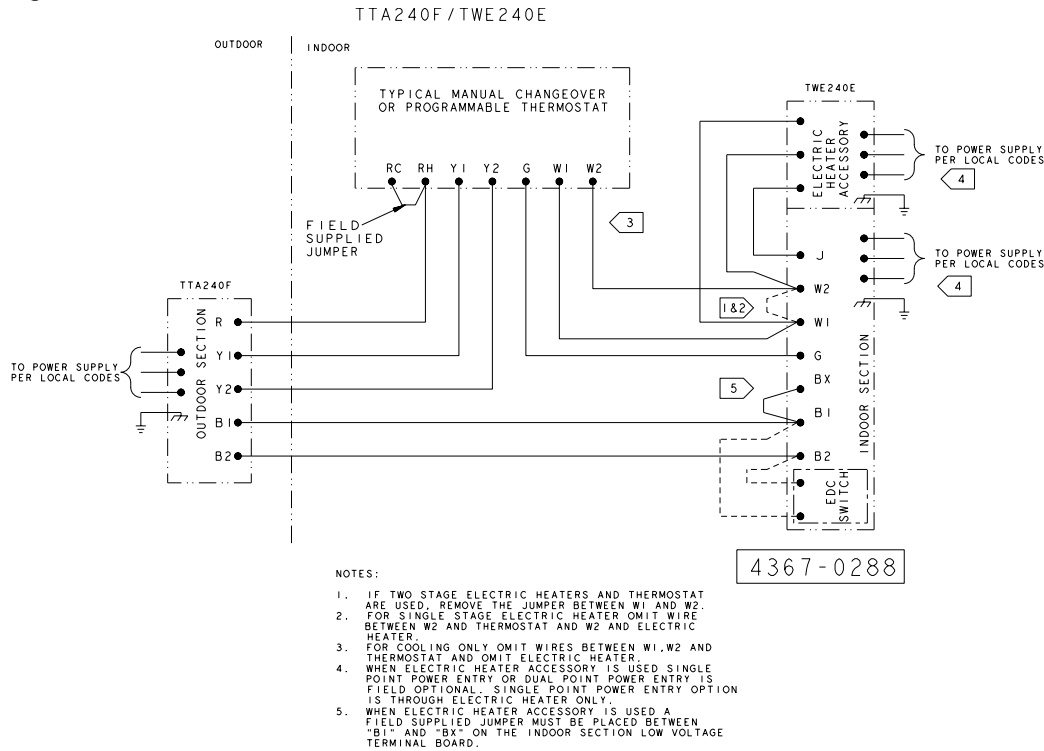
Notes:
 1. Wiring shown with dashed lines is to be furnished and installed by the customer. All customer-supplied wiring must be copper only and must conform to NEC and local electrical codes. Codes may require line of sight between the disconnect switch and the unit.
 2. When electric heater accessory is used, single point power entry or dual point power entry is field optional. Single point power entry option is through the electric heater only.

TTA240F/TWE240E

Field Wiring:

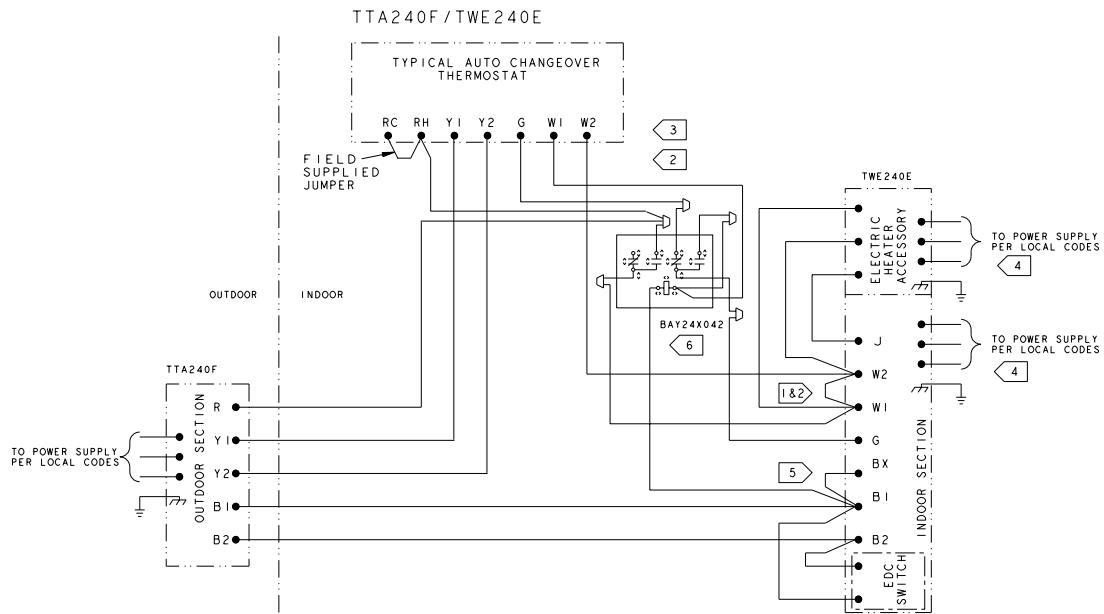
- A 3 power wires, line voltage
- B 3 power wires, line voltage for 3 phase; 2 wires for single phase
- C Cooling only thermostat: 5 wires, 24 volts***
 - One stage electric heat: add 1 additional wire, 24 volts
 - Two stage electric heat: add 2 additional wires, 24 volts
- D 5 wires, 24 volts

Figure 8. TTA240F/TWE240E



Field Wiring

Figure 9. TTA240F/TWE240E



NOTES:

1. IF TWO STAGE ELECTRIC HEATERS AND THERMOSTAT ARE USED, REMOVE THE JUMPER BETWEEN W1 AND W2.
2. FOR SINGLE STAGE ELECTRIC HEATER OMIT WIRE BETWEEN W2 AND THERMOSTAT AND W2 AND ELECTRIC HEATER.
3. FOR COOLING ONLY OMIT WIRES BETWEEN W1, W2 AND THERMOSTAT AND OMIT ELECTRIC HEATER.
4. WHEN ELECTRIC HEATER ACCESSORY IS USED SINGLE POINT POWER ENTRY OR DUAL POINT POWER ENTRY IS FIELD OPTIONAL. SINGLE POINT POWER ENTRY OPTION IS THROUGH ELECTRIC HEATER ONLY.
5. WHEN ELECTRIC HEATER ACCESSORY IS USED A FIELD SUPPLIED JUMPER MUST BE PLACED BETWEEN "B1" AND "BX" ON THE INDOOR SECTION LOW VOLTAGE TERMINAL BOARD.
6. BAY24X042 RELAY IS AN ACCESSORY AND MUST BE ORDERED SEPARATELY.

4367-0289

Maintenance

Maintenance

Perform all of the indicated maintenance procedures at the intervals scheduled. This will prolong the life of the unit and reduce the possibility of costly equipment failure.

Monthly

Conduct the following maintenance inspections once per month.

WARNING

Hazardous Voltage w/Capacitors!
Disconnect all electric power, including remote disconnects and discharge all motor start/run capacitors before servicing. Follow proper lockout/tagout procedures to ensure the power cannot be inadvertently energized. For variable frequency drives or other energy storing components provided by Trane or others, refer to the appropriate manufacturer's literature for allowable waiting periods for discharge of capacitors. Verify with an appropriate voltmeter that all capacitors have discharged. Failure to disconnect power and discharge capacitors before servicing could result in death or serious injury.

1. Inspect air filters and clean if necessary.
2. Check unit wiring to ensure all connections are tight and that the wiring insulation is intact.
3. Check drain pans and condensate piping to insure they are free of obstacles.
4. Manually rotate the indoor fan to insure proper operation.
5. Inspect the evaporator and condenser coils for dirt and debris. If the coils appear dirty, clean them.
6. With the unit operating in the cooling mode, check the suction and discharge pressures and compare them with Pressure Curve values in unit Service Facts. Record these readings on the "Maintenance Log" (located in the condenser manual).

7. Observe indoor fan operation and correct any unusual or excessive vibration. Clean blower wheels as needed.

Annually (Cooling Season)

The following maintenance procedures must be performed at the beginning of each cooling season to insure efficient unit operation.

1. Perform all of the monthly maintenance inspections.
2. With the unit operating, check unit superheat and record the reading in the "Maintenance Log" (located in the condenser manual).
3. Remove any accumulation of dust and/or dirt from the unit casing.
4. Remove corrosion from any surface and repaint. Check the gasket around the control panel door to insure it fits correctly and is in good condition to prevent water leakage.
5. Inspect the evaporator fan belt. If it is worn or frayed, replace it.
6. Inspect the control panel wiring to insure that all connections are tight and that the insulation is intact.

Lubricate the indoor fan motor bearing with a non detergent 20-weight oil. (To insure good bearing lubrication, condenser fan motor bearings should be lubricated once every six months).

Note: *Some motors are permanently lubricated.*

7. Check refrigerant piping and fittings for leaks.

The following warning complies with State of California law, Proposition 65.

WARNING

Fiberglass Wool!

Product contains fiberglass wool. Disturbing the insulation in this product during installation, maintenance or repair will expose you to airborne particles of glass wool fibers and ceramic fibers known to the state of California to cause cancer through inhalation. Glass wool fibers may also cause respiratory, skin or eye irritation.

Precautionary Measures

- Avoid breathing fiberglass dust.
- Use a NIOSH approved dust/mist respirator.
- Avoid contact with the skin or eyes. Wear long-sleeved, loose-fitting clothing, gloves, and eye protection.
- Wash clothes separately from other clothing: rinse washer thoroughly.
- Operations such as sawing, blowing, tear-out, and spraying may generate fiber concentrations requiring additional respiratory protection. Use the appropriate NIOSH approved respirator in these situations.

First Aid Measures

Eye Contact - Flush eyes with water to remove dust. If symptoms persist, seek medical attention.

Skin Contact - Wash affected areas gently with soap and warm water after handling.

Warranty Related Accessories

Commercial Equipment Rated 20 Tons and Larger and Related Accessories (Parts Only)

Products Covered — This warranty is extended by American Standard Inc., and applies only to commercial equipment rated 20 tons and larger and related accessories purchased and retained for use within the U.S.A. and Canada.

Warrantor warrants for a period of 12 months from initial start-up or 18 months from date of shipment, whichever is less, that the products covered by this warranty (1) are free from defects in material and manufacture, and (2) have the capacities and ratings set forth in catalogs and bulletins; provided, that no warranty is made against corrosion, erosion or deterioration. Warrantor's obligations and liabilities under this warranty are limited to furnishing, F.O.B. factory replacement parts (or equipment at the option of Warrantor) for all Warrantor's products not conforming to this warranty. Warrantor shall not be obligated to pay for the cost of lost refrigerant. No liability whatever shall attach to Warrantor until said products have been paid for and then said liability shall be limited to the purchase price of the equipment shown to be defective.

THE WARRANTY AND LIABILITY SET FORTH HEREIN ARE IN LIEU OF ALL OTHER WARRANTIES AND LIABILITIES, WHETHER IN CONTRACT OR IN NEGLIGENCE, EXPRESS OR IMPLIED, IN LAW OR IN FACT, INCLUDING IMPLIED WARRANTIES OF MERCHANTABILITY AND FITNESS FOR PARTICULAR USE, AND IN NO EVENT SHALL WARRANTOR BE LIABLE FOR ANY INCIDENTAL OR CONSEQUENTIAL DAMAGES.

Some states do not allow limitations on how long an implied warranty lasts or do not allow the exclusion or limitation of incidental or consequential damages, so the above limitation or exclusion may not apply to you. This warranty gives you specific legal rights, and you may also have other rights which vary from state to state.

American Standard Inc.—Warrantor
2701 Wilma Rudolph Blvd.
Clarksville, TN 37040

GW-598-4799

Literature Order Number	TWE-SVX09A-EN
File Number	SV-UN-TWE-SVX09A-EN-10/06
Supersedes	TWE-SVN02A-EN-06/06
Stocking Location	WebbMason

The manufacturer has a policy of continuous product and data improvement and reserves the right to change design and specifications without notice.